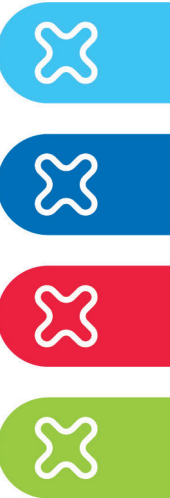
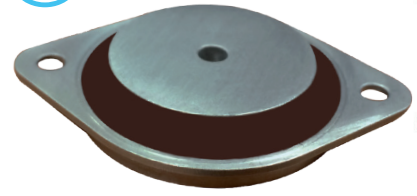


2244S-1X[®]



Applications

- Electronic equipment in constrained environments where low profile installation is critical
- Airborne avionics
- Navigation/Guidance systems

Characteristics

- Axial to radial stiffness ratio is approx. 1:1.
- Low or medium transmissibility at resonance
- Requires minimal height for installation
- Materials : Alu 2000 Series
Chromatation (Alodine)

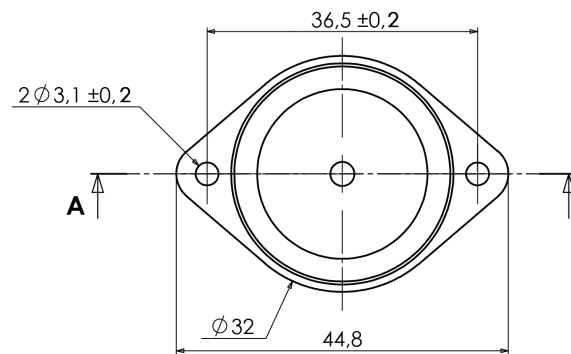
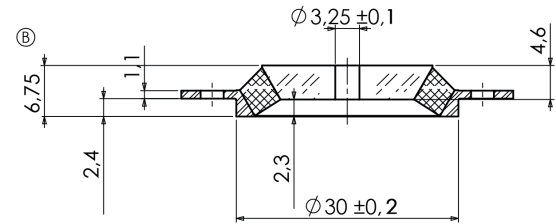
Environment

- Silicone elastomer have an operating temperature range of -55°C to + 150°C (-67°F to + 300°F)

Installation

- No special tools required
- Through holes in base plate and on the core

Dimensions



Performances *

	2244S-11	2244S-12
Maximum displacement at resonance (mm)	0.25	
Weight (kg)	0.008	
Maximum static load (kg)	0.7	
Transmissibility at resonance (max.)	3.5	4.5
Axial natural frequency** (Hz)	130	
Dynamic axial spring (N/mm)	460	

*Performances per isolator

** Under random excitation 2g RMS in the frequency range [20-2000 Hz]

2244S-1X[®] can be ordered directly on our website: <http://www.smacmount.com/>

